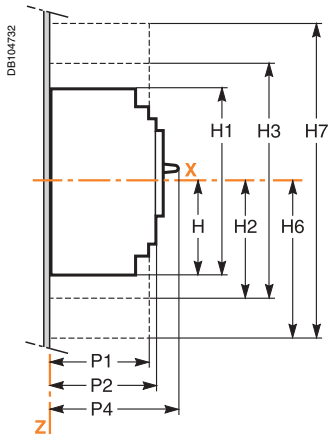
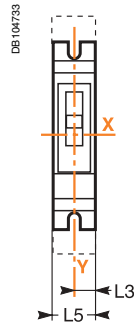


<i>Presentation</i>	<i>6</i>
<i>Functions and characteristics</i>	<i>13</i>
Compact (fixed version) 1P-2P NS100-NS160 N/H	58
Dimensions, mounting, cutout	58
Compact (fixed version) 3P-4P NS100 to NS630 DC	60
Dimensions, mounting, cutout	60
Compact (withdraw. version) 3P-4P NS100 to NS630 DC	62
Dimensions, mounting, cutout	62
Compact (fixed version) 2P-3P-4P Parallel and series connection of poles	64
Compact NS100 to NS250	64
Compact NS400 and NS630	65
Compact (withdraw. version) 3P-4P Parallel and series connection of poles	66
Compact NS100 to NS250	66
Compact NS400 to NS630	67
Compact NS100 to NS630	68
Rotary handle	68
Motor-mechanism module	70
Masterpact NW10 to 40 DC	71
Fixed device	71
Fixed device Version C	72
Fixed device Version D	73
Fixed device Version E	74
Drawout device	75
Drawout device Version C	76
Drawout device Version D	77
Drawout device Version E	78
Accessories	79
<i>Electrical diagrams</i>	<i>81</i>
<i>Installation recommendations</i>	<i>95</i>
<i>Additional characteristics</i>	<i>113</i>
<i>Catalogue numbers and order form</i>	<i>135</i>

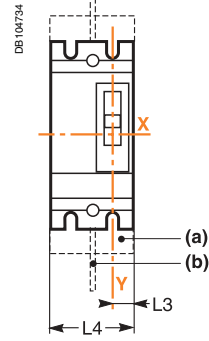
Dimensions



1 pole



2 poles

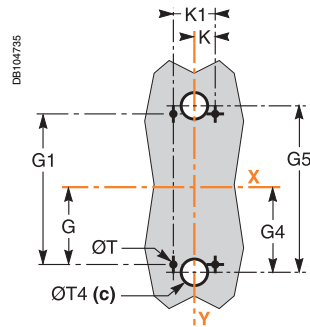


(a) Short terminal shields.
(b) Interphase barriers.

Mounting

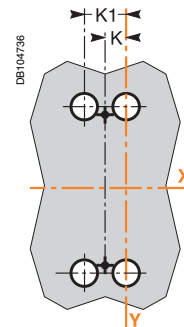
On backplate

1 pole



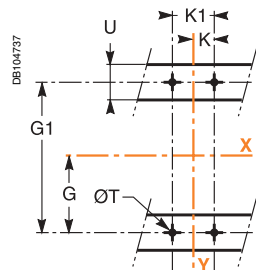
(c) For rear connection only.

2 poles

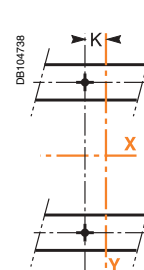


On rails

1 pole

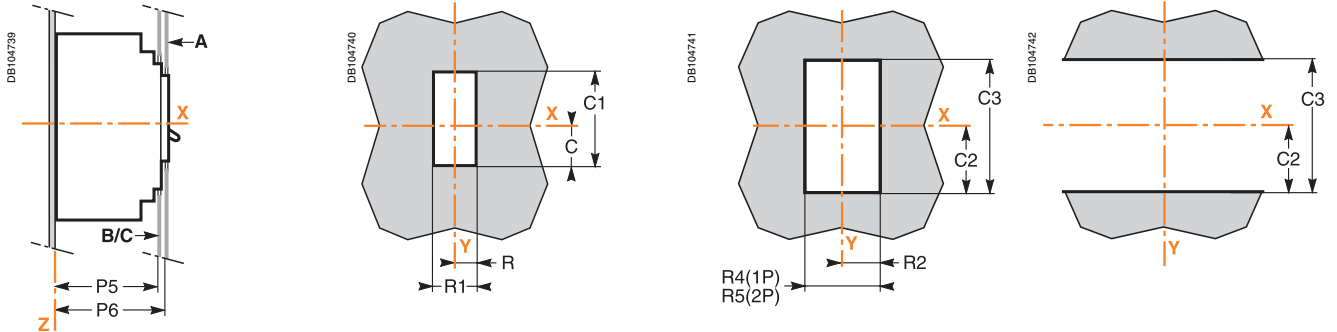


2 poles

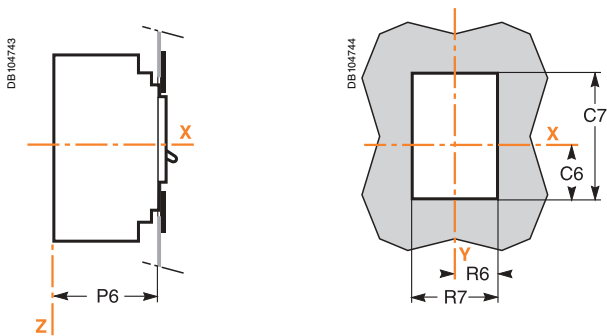


Front-panel cutout

On backplate



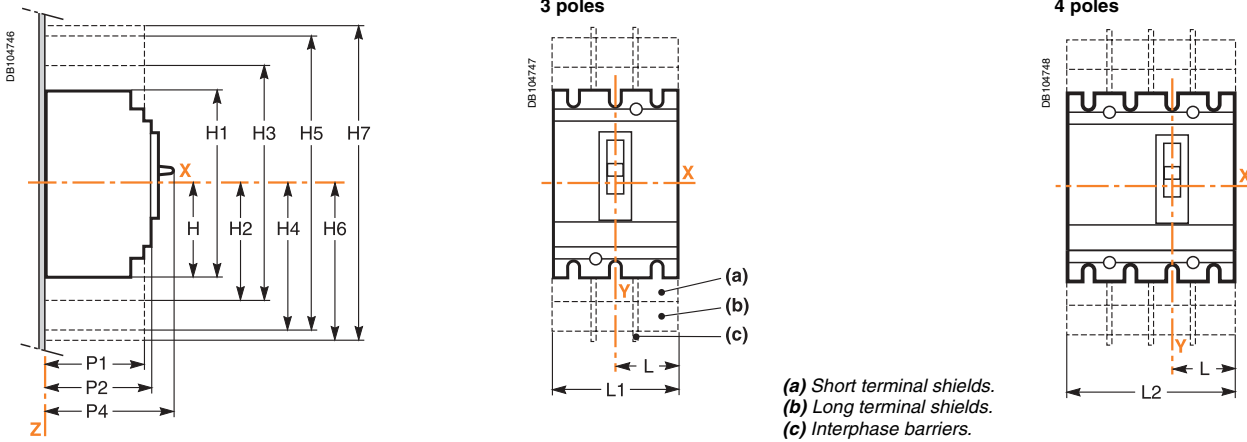
With escutcheon



Dimensions (mm)

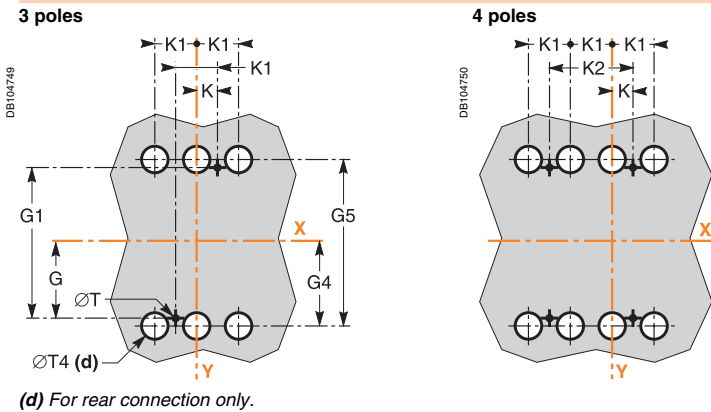
Type	C	C1	C2	C3	C6	C7	G	G1	G4	G5	H
NS100/160N/H	29	76	54	108	43	104	62.5	125	70	140	80.5
Type	H1	H2	H3	H4	H6	H7	K	K1	L3	L4	L5
NS100/160N/H	161	94	188	160.5	178.5	357	17.5	35	17.5	70	35
Type	P1	P2	P4	P5	P6	R	R1	R2	R4	R5	R6
NS100/160N/H	81	86	111	83	88	14.5	29	19	38	73	29
Type	R7	ØT	ØT4	U							
NS100/160N/H	58	6	22	≤ 32							

Dimensions

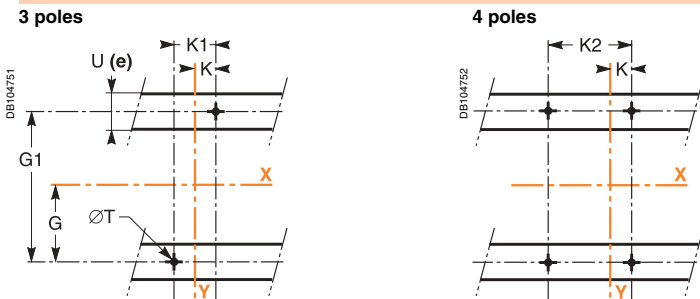


Mounting

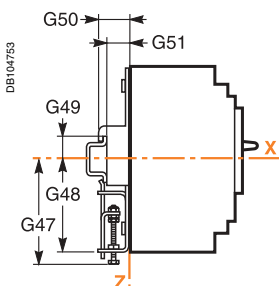
On backplate



On rails

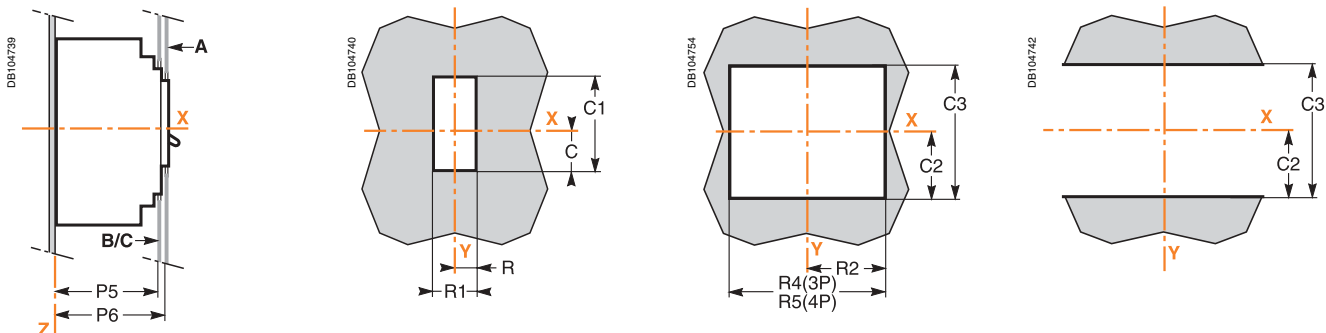


On DIN rail with adapter plate



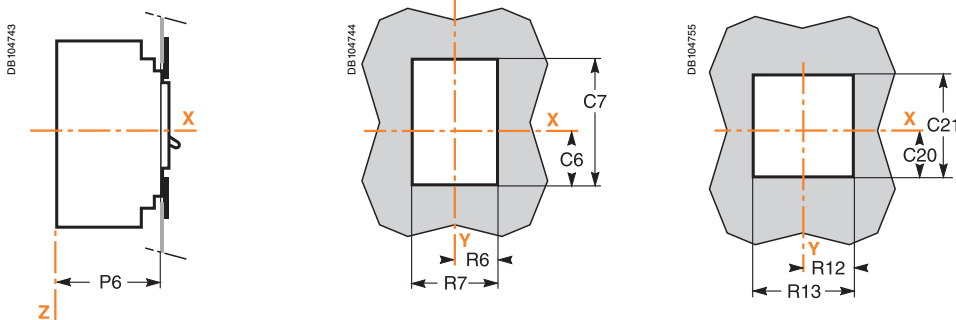
Front-panel cutout

For fixed circuit breaker



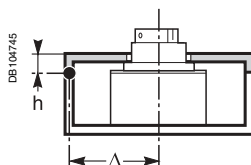
With escutcheon

With toggle cover



Dimensions (mm)

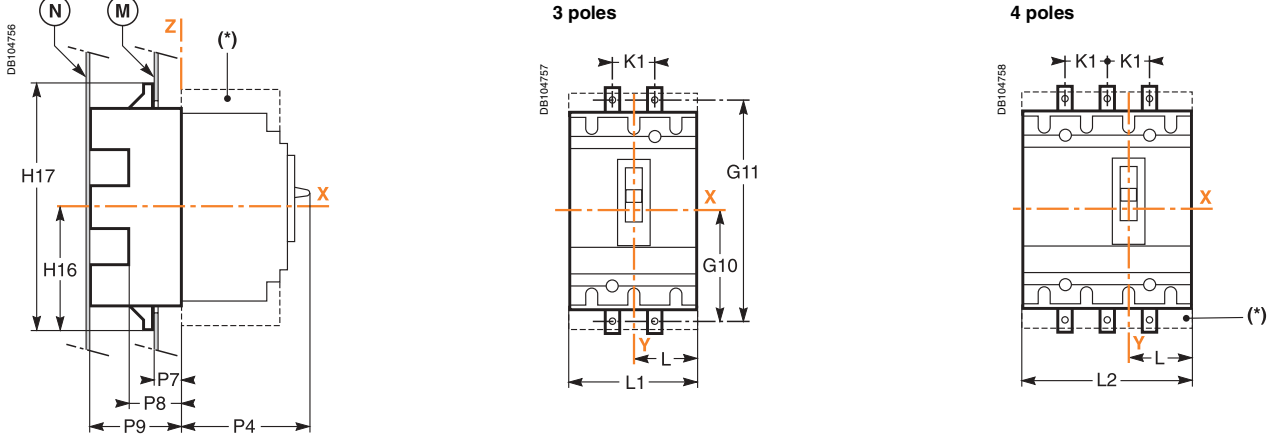
Type	C	C1	C2	C3	C6	C7	C20	C21	G	G1	G4
NS100/160/250DC	29	76	54	108	43	104	34	86	62.5	125	70
NS400/630DC	41.5	116	92.5	184	56.5	146	46.5	126	100	200	113.5
Type	G5	G47	G48	G49	G50	G51	H	H1	H2	H3	H4
NS100/160/250DC	140	95	75	13.5	23	17.5	80.5	161	94	188	160.5
NS400/630DC	227	-	-	-	-	-	127.5	255	142.5	285	240
Type	H5	H6	H7	K	K1	K2	L	L1	L2	P1	P2
NS100/160/250DC	321	178.5	357	17.5	35	70	52.5	105	140	81	86
NS400/630DC	480	237	474	22.5	45	90	70	140	185	95.5	110
Type	P4	P5	P6	R	R1	R2	R4	R5	R6	R7	R12
NS100/160/250DC	111	83	88	14.5	29	54	108	143	29	58	43
NS400/630DC	168	107	112	31.5	63	71.5	143	188	46.5	93	63
Type	R13	ØT	ØT4	U							
NS100/160/250DC	86	6	22	≤ 32							
NS400/630DC	126	6	32	≤ 32							



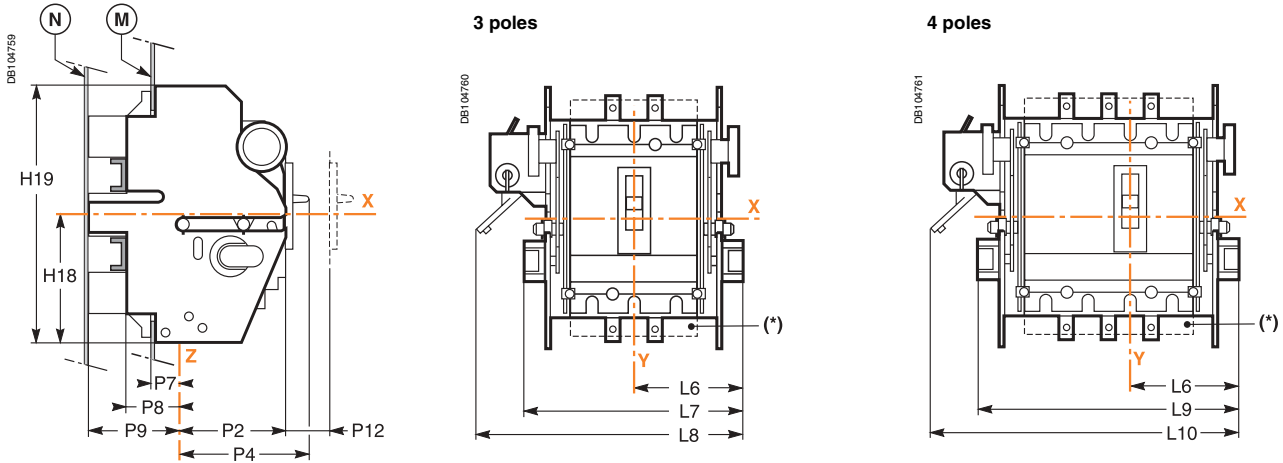
Note: door cutout dimensions are given for a device position in the enclosure where $\Delta \geq 100 + (h \times 5)$ with respect to the door hinge.

Dimensions

Plug-in base

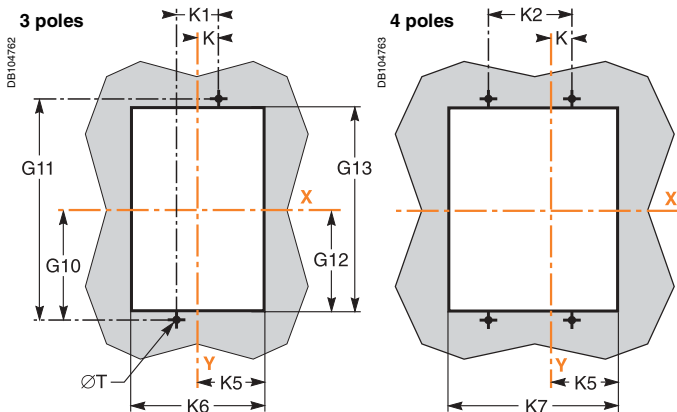


Chassis

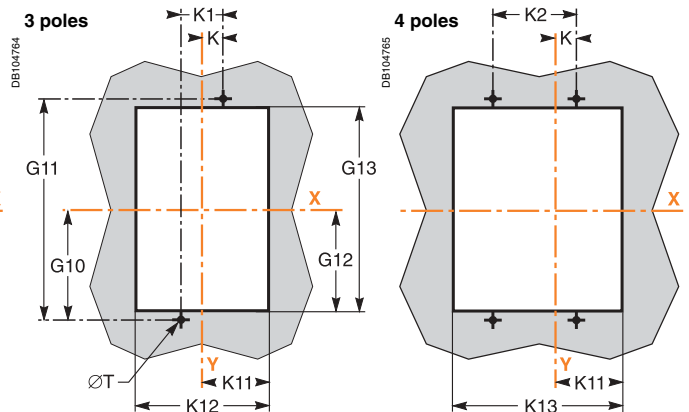


Mounting

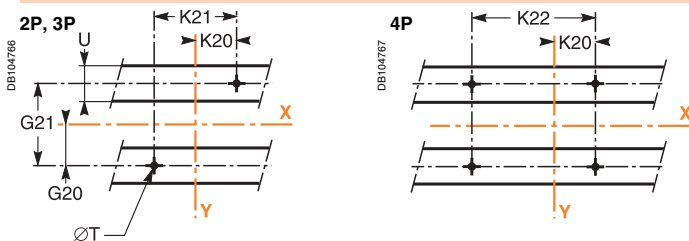
Through panel (M) (plug-in base)



Through panel (M) (chassis)



On rails (plug-in base or chassis)

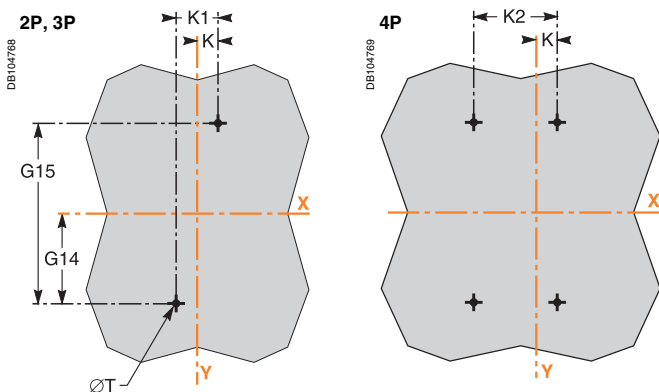


(*) Short terminal shields are mandatory.

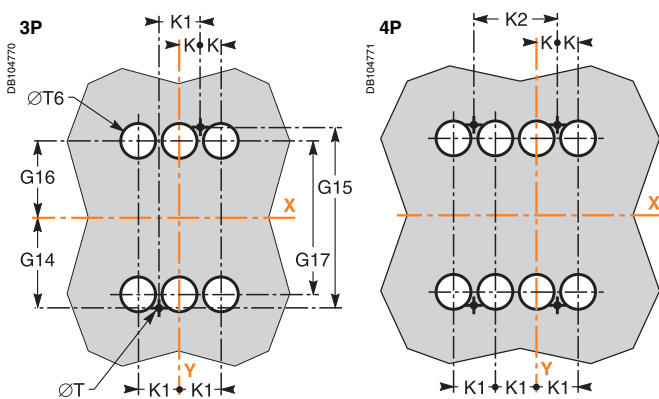
Note: door cutout dimensions are given for a device position in the enclosure where $\Delta \geq 100 + (h \times 5)$ with respect to the door hinge.

On backplate (N) (plug-in base or chassis)

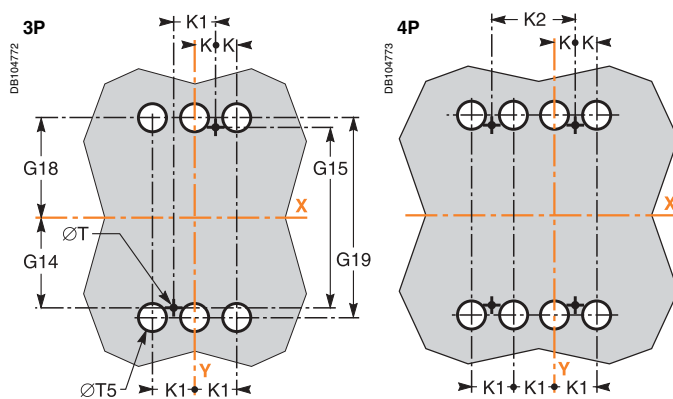
Front connection (insulating screen is mandatory between the backplate and the base, supplied with the base)



Interior rear connection



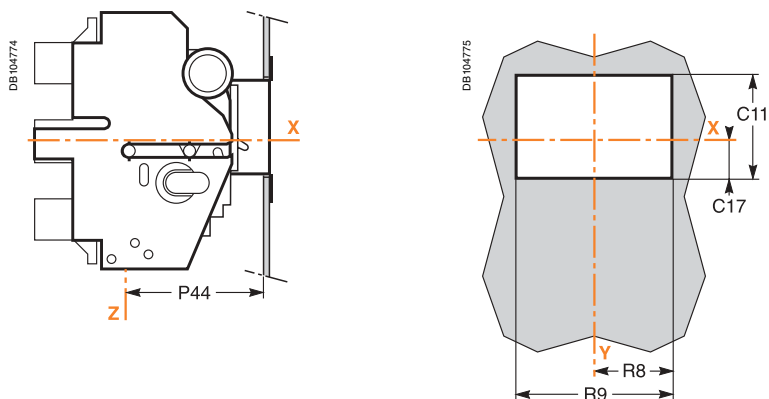
Exterior rear connection



Front-panel cutout

Plug-in base

Chassis with protection collar and escutcheons



Dimensions (mm)

Type	C11	C17	G10	G11	G12	G13	G14	G15	G16	G17	G18	G19	G20	G21	G22	G23	G24
NS100/160/250DC	103	42.5	95	190	87	174	77.5	155	66	132	82	164	37.5	75	111	222	190
NS400/630DC	155	56	150	300	137	274	125	250	101	202	126	252	75	150	170.5	341	283.5
Type	G25	G26	G27	H16	H17	H18	H19	K	K1	K2	K5	K6	K7	K11	K12	K13	K20
NS100/160/250DC	380	208	416	102.5	205	103.5	210	17.5	35	70	54.5	109	144	74	148	183	35
NS400/630DC	567	318.5	637	157.5	315	140	280	22.5	45	90	71.5	143	188	91.5	183	228	50
Type	K21	K22	L	L1	L2	L6	L7	L8	L9	L10	P2	P4	P7	P8	P9	P10	P12
NS100/160/250DC	70	105	52.5	105	140	92.5	185	216	220	251	86	111 ⁽¹⁾	27	45	75	64	32
NS400/630DC	100	145	70	140	185	110	220	250	265	295	110	168	27	45	100	86	32
Type	P44	R8	R9	U	ØT	ØT5	ØT6										
NS100/160/250DC	123	74	148	≤ 32	6	24	30										
NS400/630DC	147	90	180	≤ 32	6	33	33										

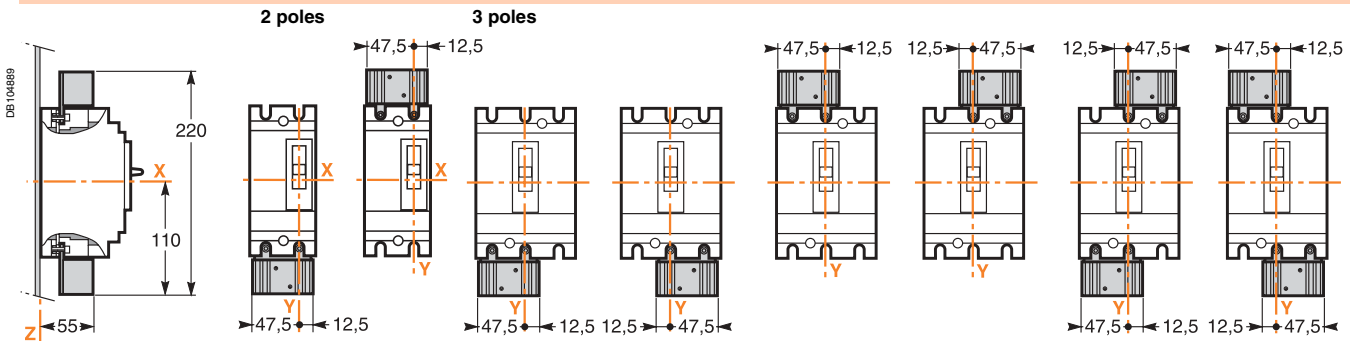
(1) P4 = 126 mm for Compact NS250.

Compact (fixed version) 2P-3P-4P Parallel and series connection of poles

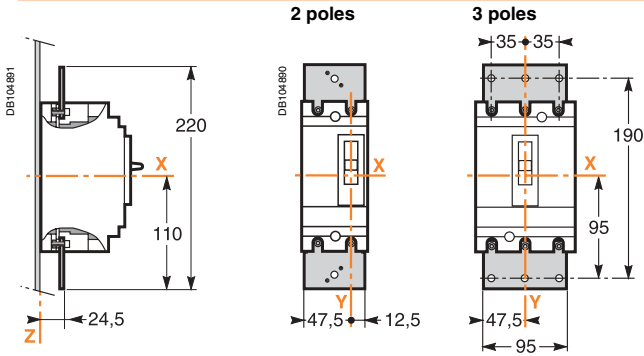
Compact NS100 to NS250

2P fixed version (Compact NS100-160 N/H) - 3P fixed version (Compact NS100-250 DC)

With series connections

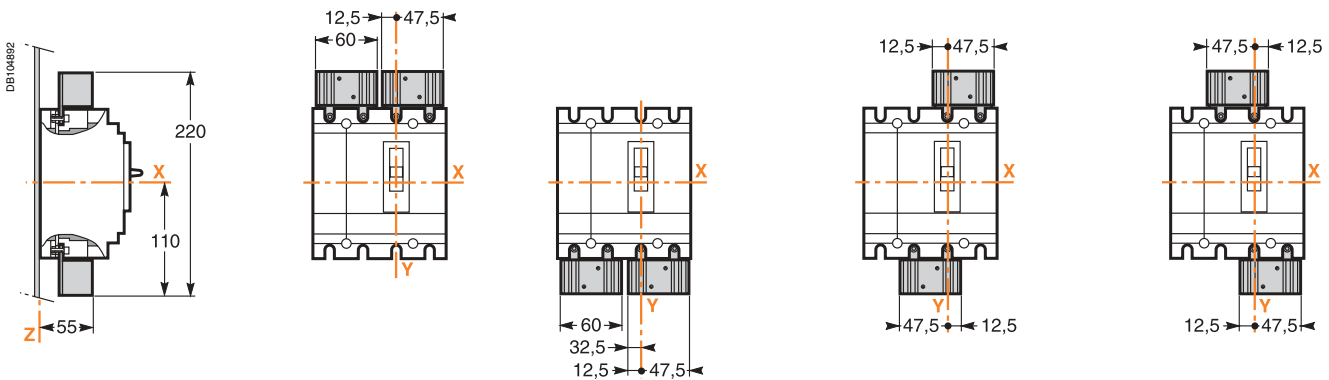


With parallel connections

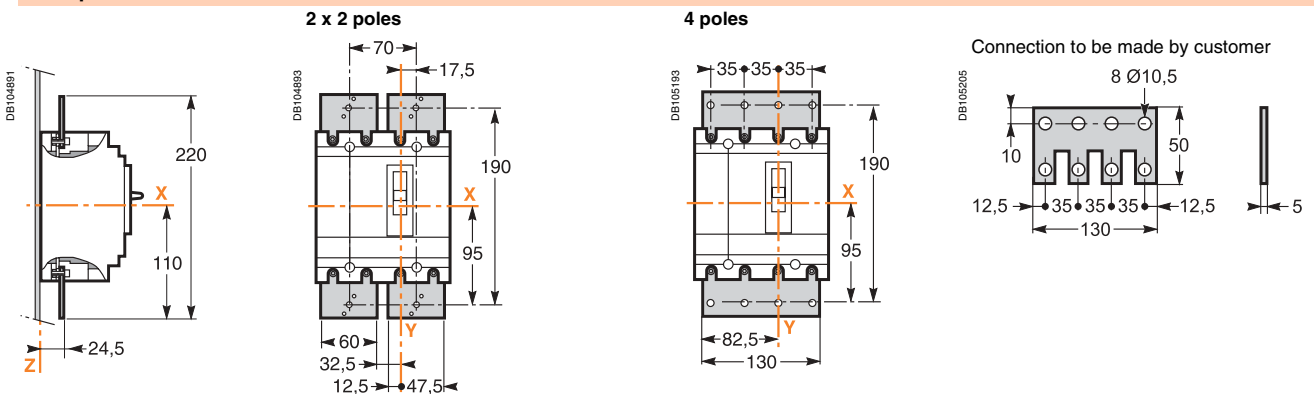


4P fixed version (Compact NS100-250 DC)

With series connections



With parallel connections

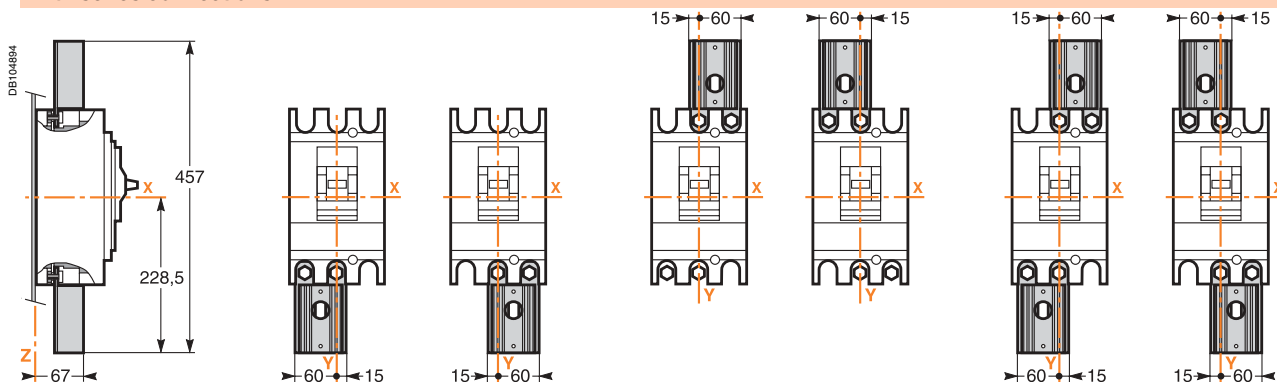


Compact (fixed version) 2P-3P-4P Parallel and series connection of poles

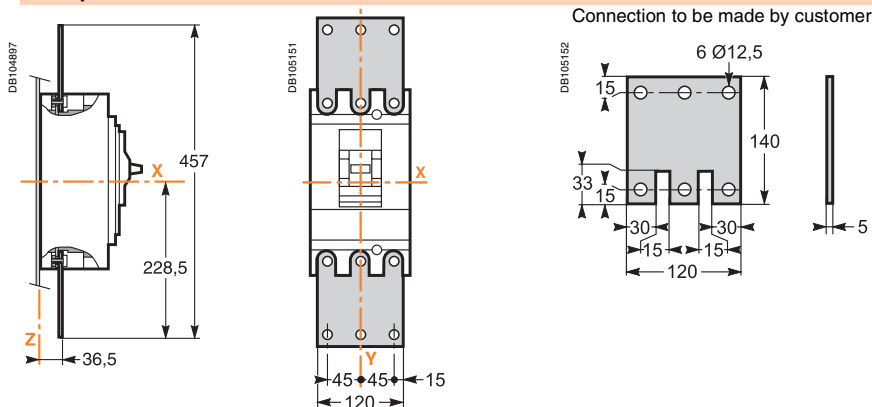
Compact NS400 and NS630

3P fixed version (Compact NS400-630 DC)

With series connections

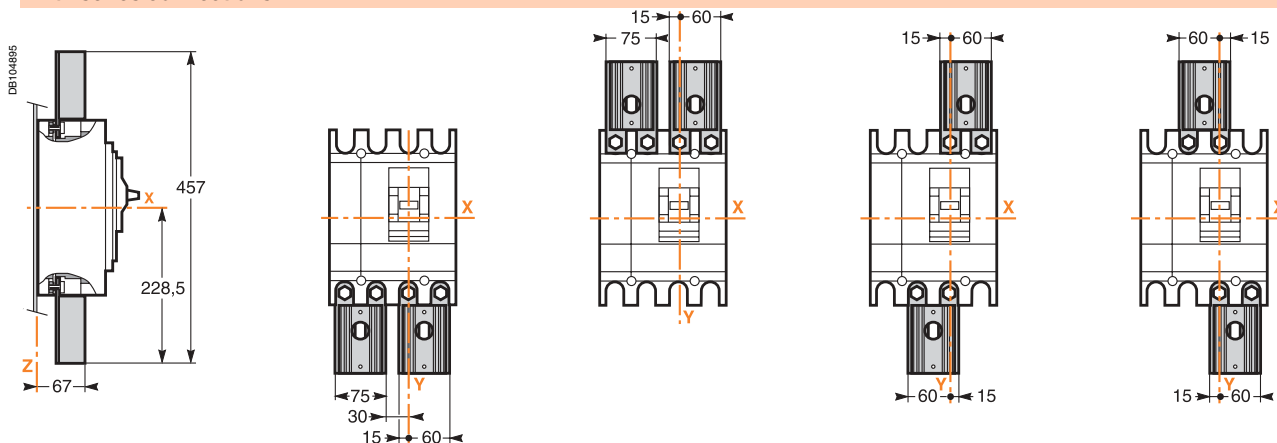


With parallel connections

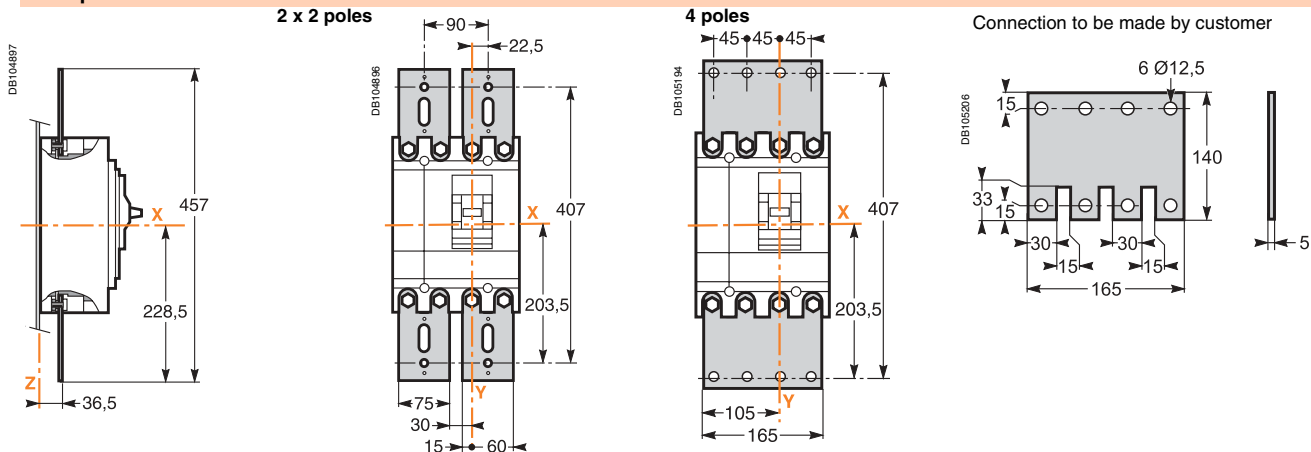


4P fixed version (Compact NS100 à NS250 DC)

With series connections



With parallel connections

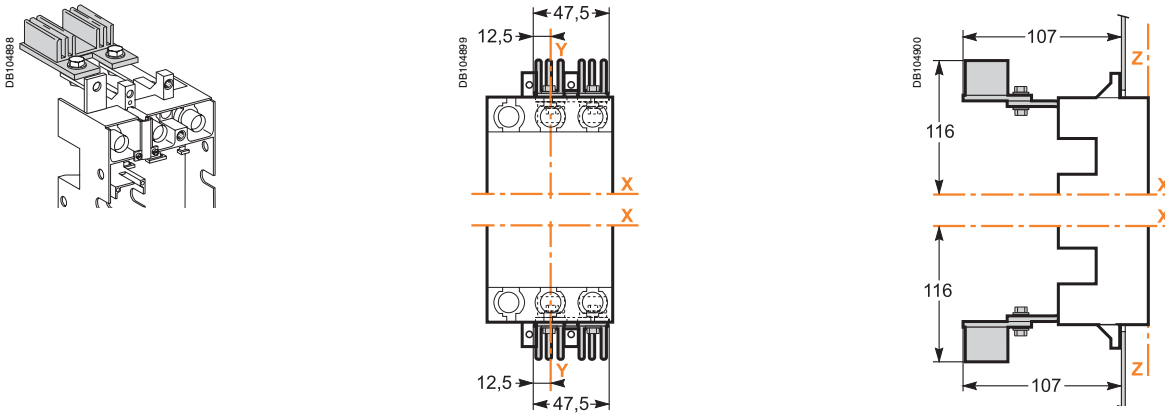


Compact (withdraw. version) 3P-4P Parallel and series connection of poles

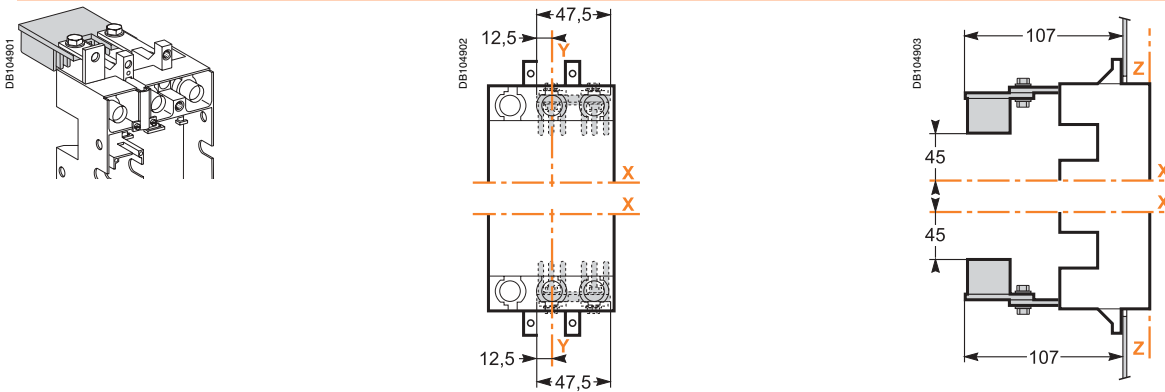
Compact NS100 to NS250

3P withdrawable version

Connections mounted with heat sink directed outwards

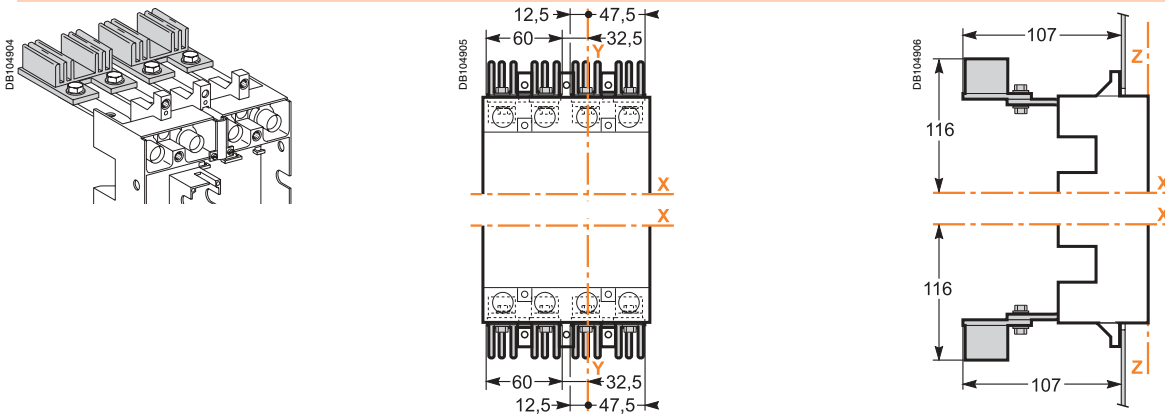


Connections mounted with heat sink directed inwards

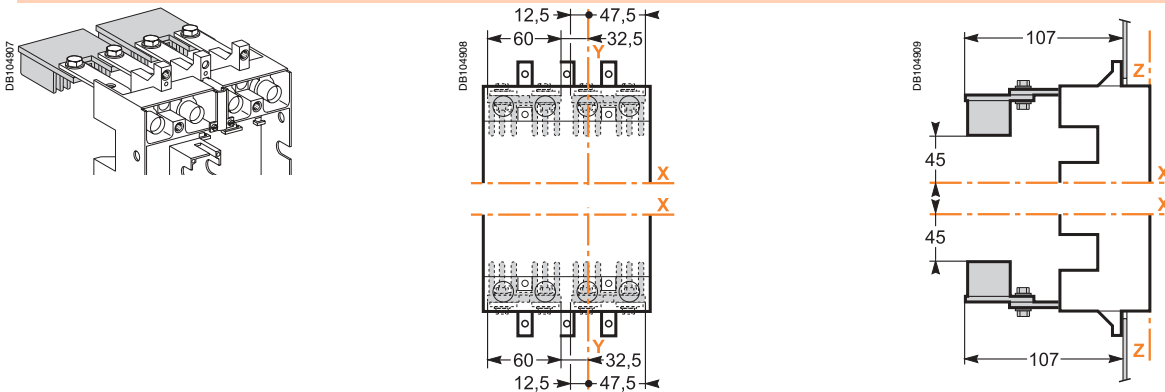


4P withdrawable version

Connections mounted with heat sink directed outwards

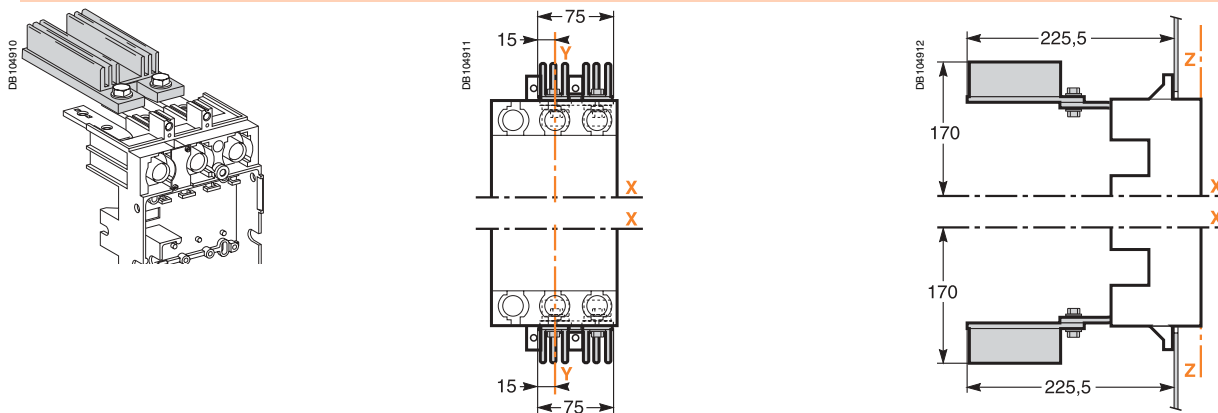


Connections mounted with heat sink directed inwards

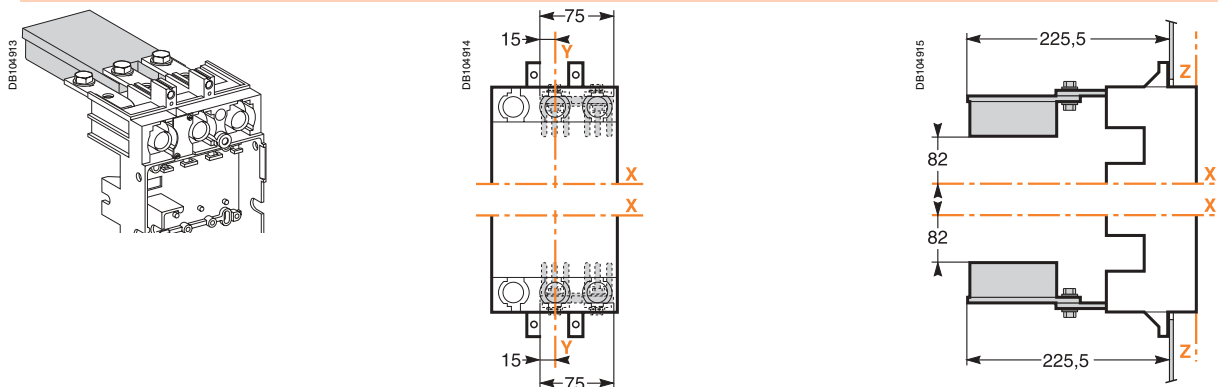


3P withdrawable version

Connections mounted with heat sink directed outwards

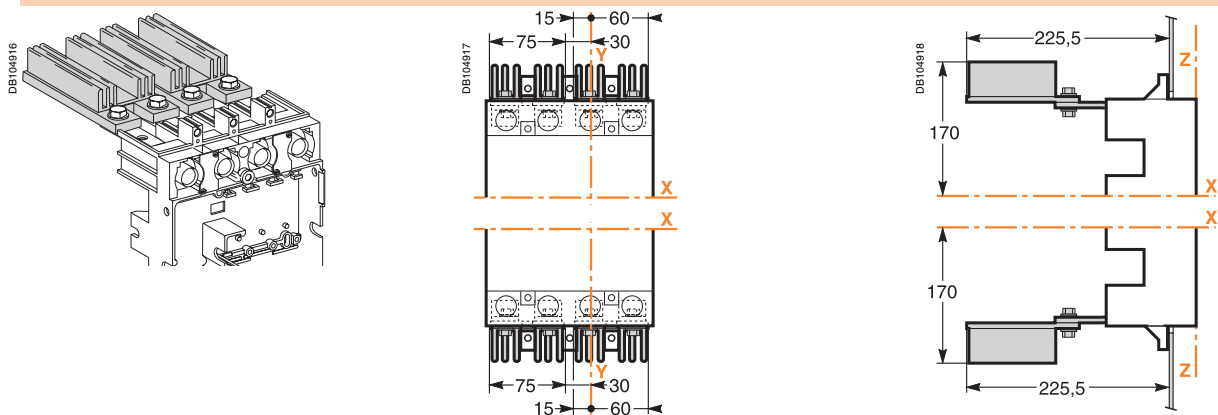


Connections mounted with heat sink directed inwards

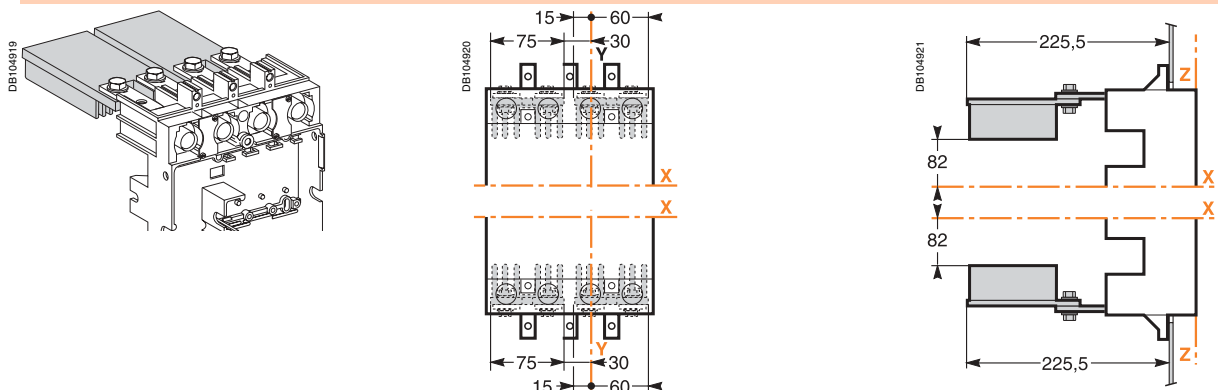


4P withdrawable version

Connections mounted with heat sink directed outwards

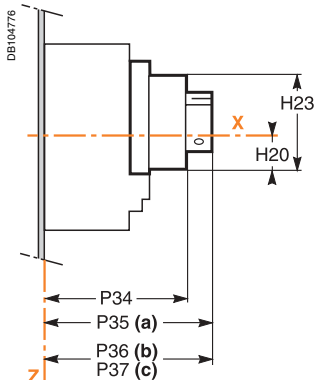


Connections mounted with heat sink directed inwards



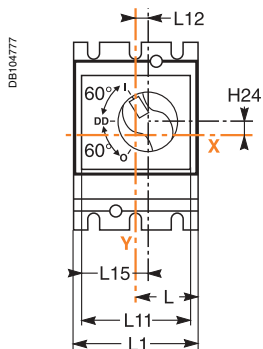
Direct rotary handle

Dimensions

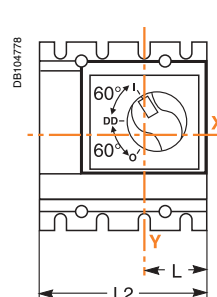


- (a) Without keylock.
- (b) With Ronis keylock.
- (c) With Profalux keylock.

3 poles

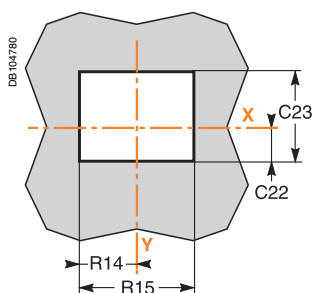
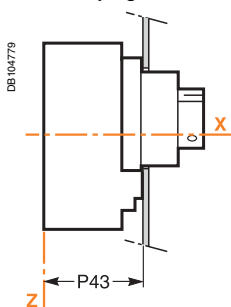


4 poles

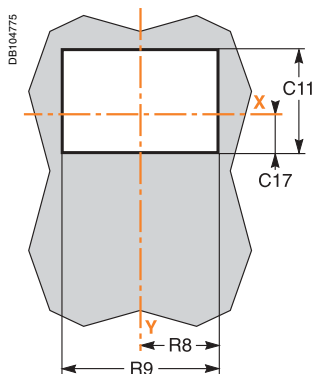
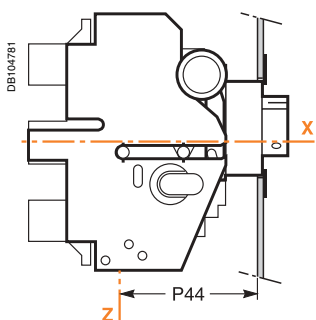


Front-panel cutout

Fixed or plug-in circuit breaker



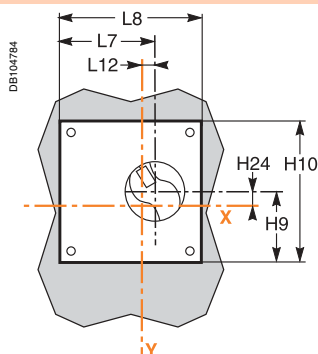
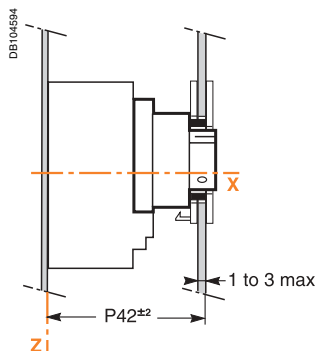
Withdrawable circuit breaker



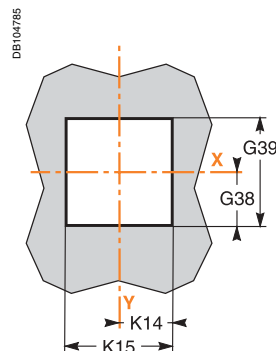
An escutcheon is mandatory.

MCC direct rotary handle

Dimensions



Front-panel cutout



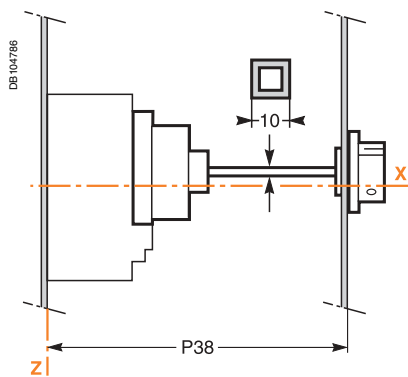
Extended rotary handle

Dimensions

Fixed or plug-in circuit breaker

Cut shaft at length:

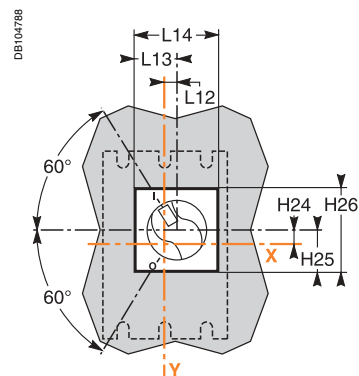
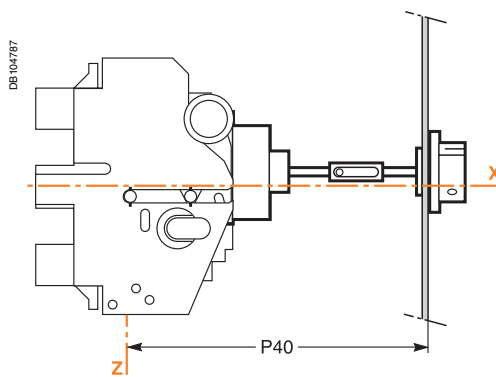
- P38-126 mm (NS100/250)
- P38-150 mm (NS400/630)



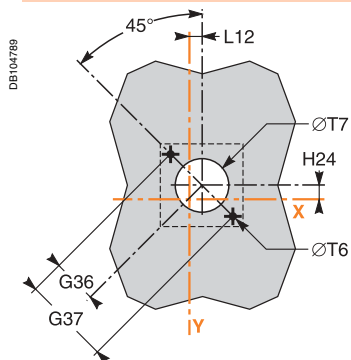
Withdrawable circuit breaker

Cut shaft at length:

- P40-122 mm (NS100/250)
- P40-150 mm (NS400/630)



Front-panel cutout



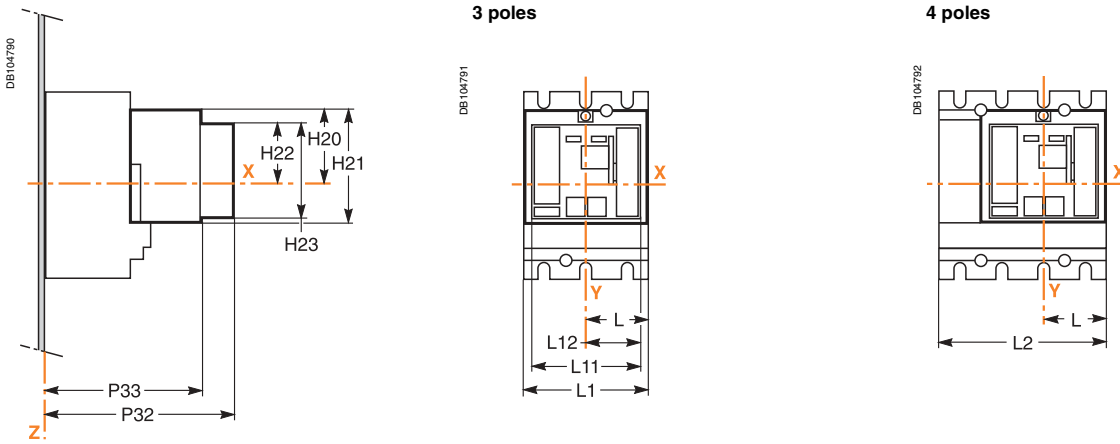
Dimensions (mm)

Type	C4	C5	C11	C13	C16	C17	C22	C23	G36	G37	G38	G39	H9	H10	H20	H23	H24
NS100/160/250	86	37	103	84	55	42.5	29	76	36	72	41	100	60	120	28	73	9
NS400/630N/H	147.5	37	155	84	116.5	56	41.5	126	36	72	51	145	83	160	40	123	24.5
Type	H25	H26	K14	K15	L	L1	L2	L7	L8	L11	L12	L13	L14	L15	P34	P35	P36
NS100/160/250	37.5	75	50	100	52.5	105	140	69	120	91	9.25	37.5	75	55	121	155	156
NS400/630N/H	37.5	75	72.5	145	70	140	185	85	160	123	5	37.5	75	66.5	145	179	180
Type	P37	P38 ⁽¹⁾	P40 ⁽¹⁾	P42	P43	P44	R1	R8	R9	R14	R15	R26	R33	R34	ØT6	ØT7	
NS100/160/250	164	≥ 185	≥ 248	125	89	123	29	74	148	48.5	97	14.5	74	148	4.2	50	
NS400/630N/H	188	≥ 209	≥ 272	149	112	147	29	90	180	64.5	129	32	91.5	148	4.2	50	

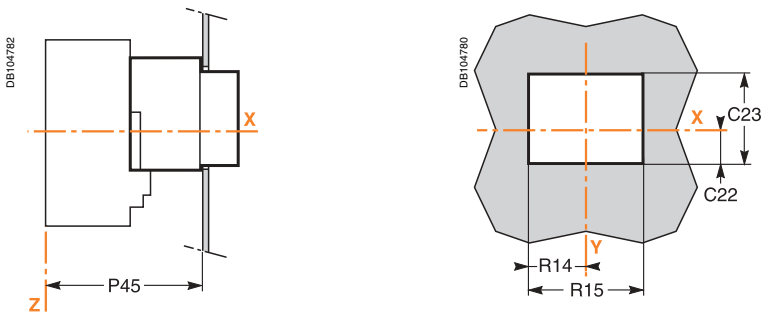
(1) ≤ 600 mm.

Note: door cutout dimensions are given for a device position in the enclosure where $\Delta \geq 100 + (h \times 5)$ with respect to the door hinge.

Dimensions



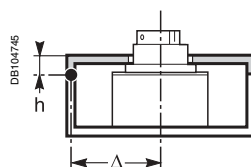
Front-panel cutout



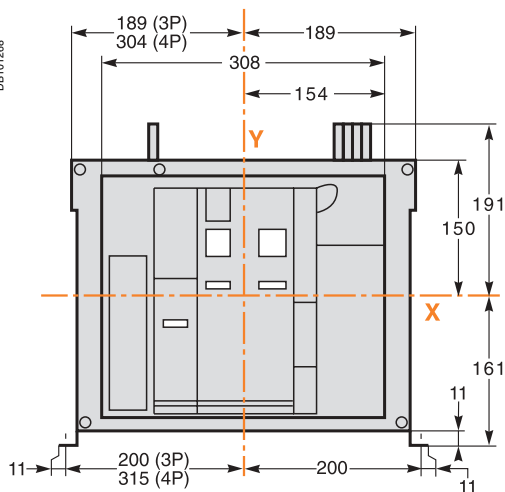
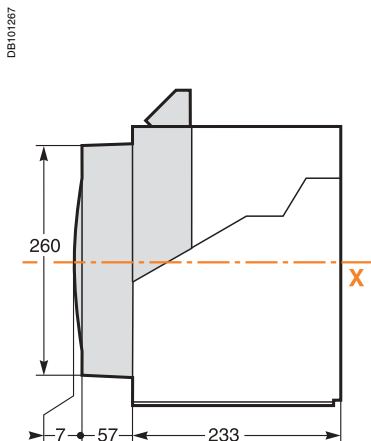
Dimensions (mm)

Type	C22	C23	H20	H21	H22	H23	L	L1	L2	L11	L12
NS100/160/250	29	76	62.5	97	45.5	73	52.5	105	140	91	45.5
NS400/630	41.5	126	100	152	83	123	70	140	185	123	61.5
Type	P32	P33	P45	R14	R15						
NS100/160/250	178	143	145	48.5	97						
NS400/630	250	215	217	64.5	129						

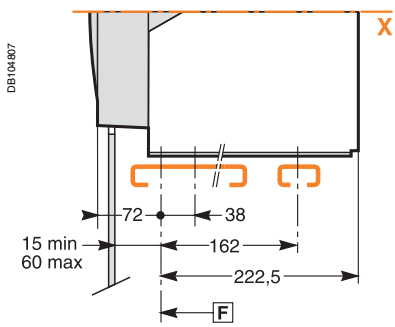
Note: door cutout dimensions are given for a device position in the enclosure where $\Delta \geq 100 + (h \times 5)$ with respect to the door hinge.



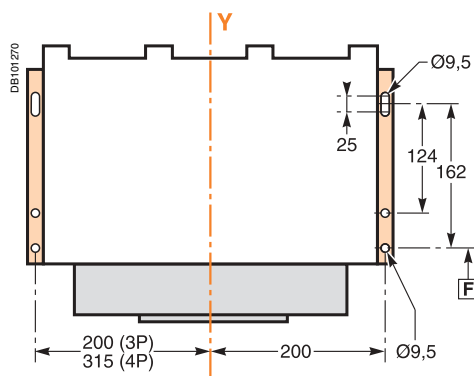
Device



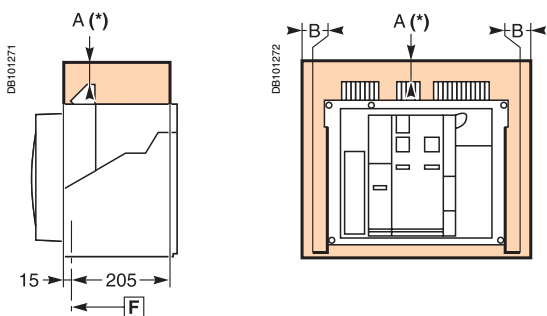
Mounting on base plate or rails



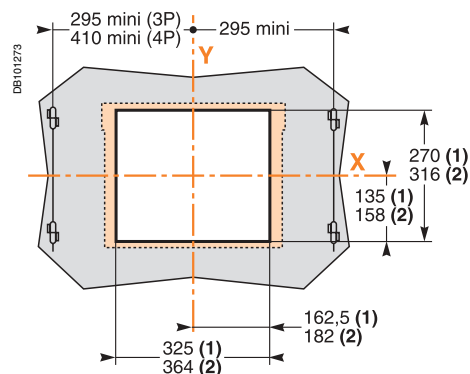
Mounting detail



Safety clearances



Door cutout



	Insulated parts	Metal parts	Energised parts
A	0	0	100
B	0	0	60

Note:

(1) Without escutcheon.

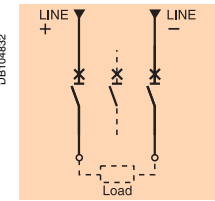
(2) With escutcheon.

X and Y are the symmetry planes for a 3-pole device.

A(*) An overhead clearance of 110 mm is required to remove the arc chutes.

An overhead clearance of 20 mm is required to remove the terminal block.

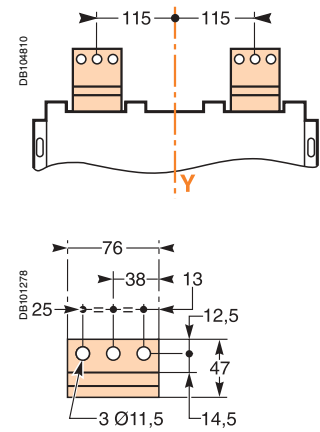
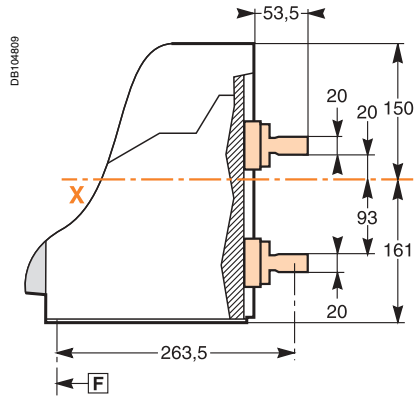
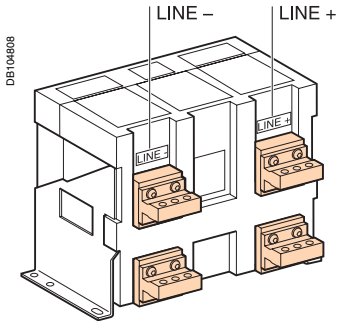
[F]: Datum.



Connections

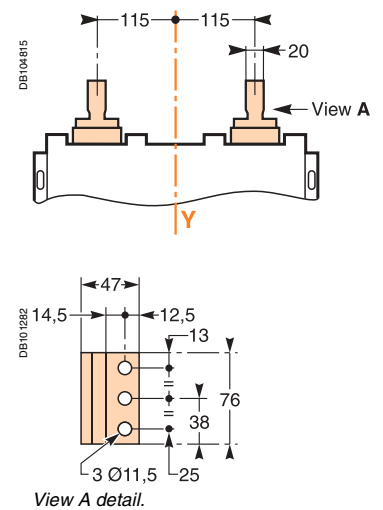
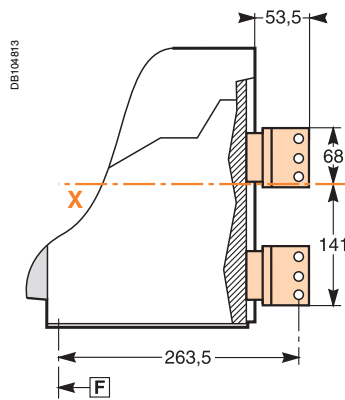
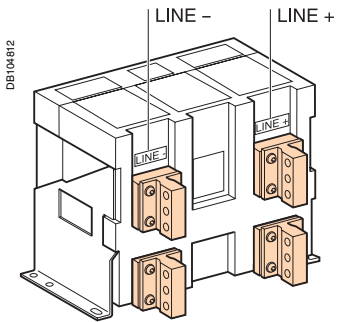
Horizontal rear connection (NW10 - NW20)

Detail



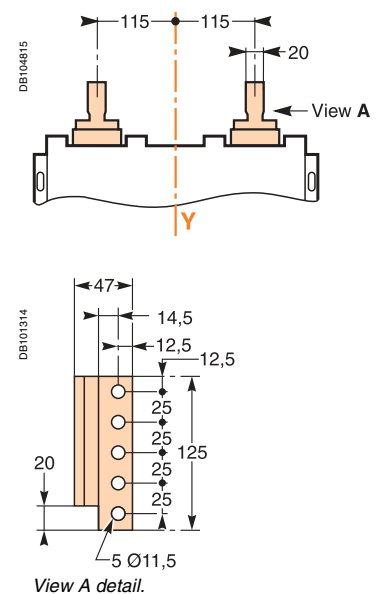
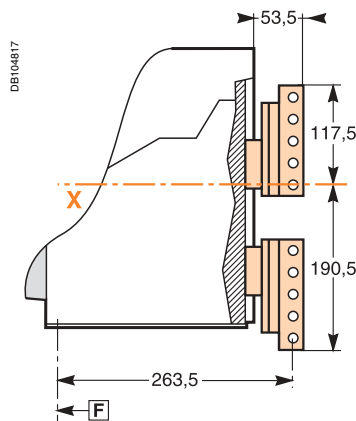
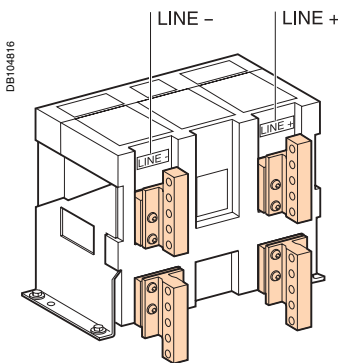
Vertical rear connection (NW10 - NW20)

Detail

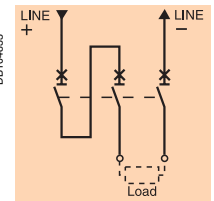


Vertical rear connection (NW40)

Detail



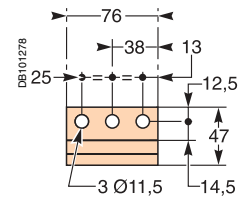
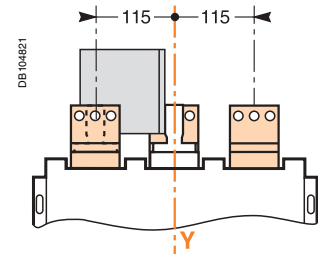
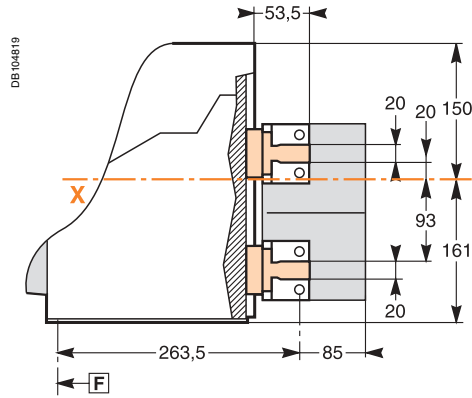
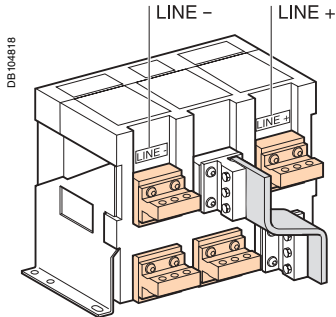
Note:
Recommended connection screws: **M10** class 8.8.
Tightening torque: **50 Nm** with contact washer.



Connections

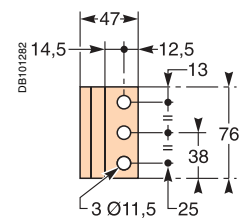
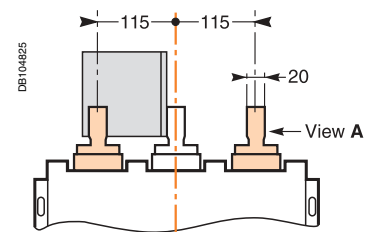
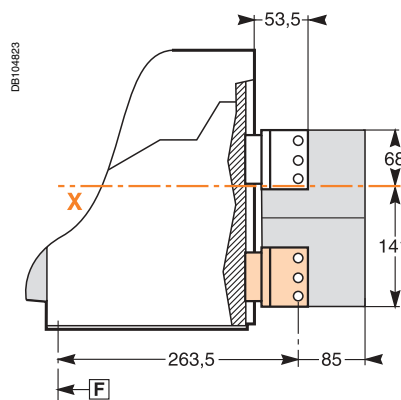
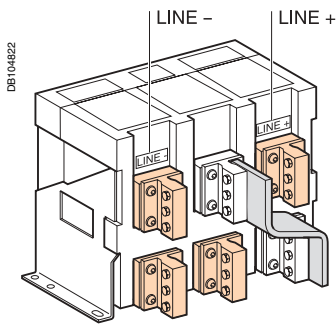
Horizontal rear connection (NW10 - NW20)

Detail



Vertical rear connection (NW10 - NW20)

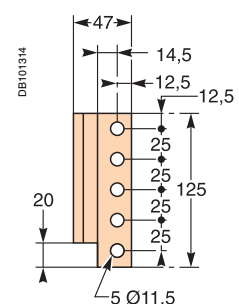
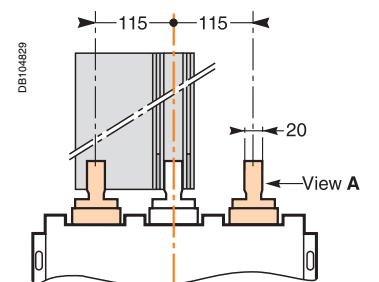
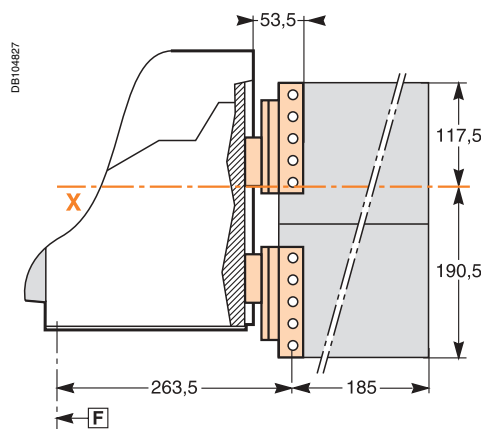
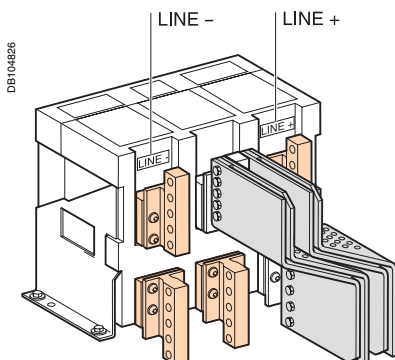
Detail



View A detail.

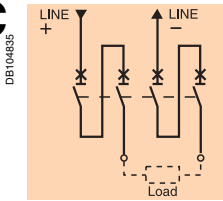
Vertical rear connection (NW40)

Detail



View A detail.

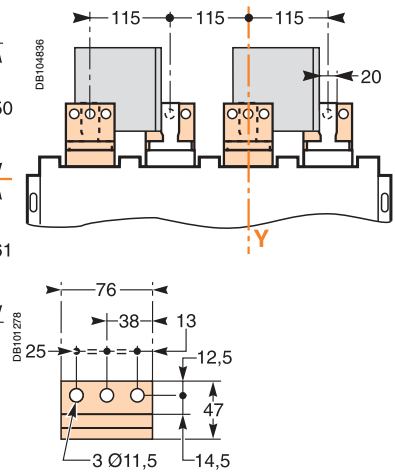
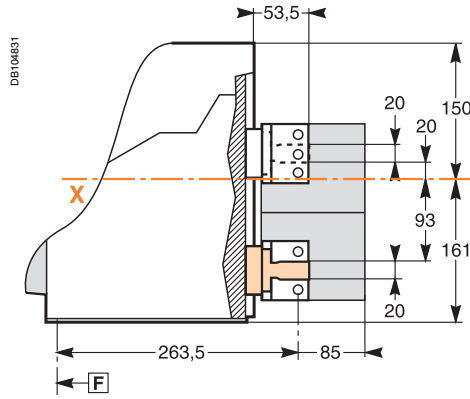
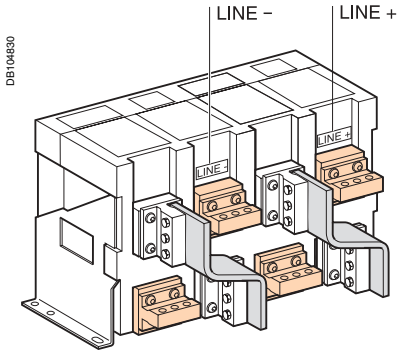
Note:
Recommended connection screws: **M10** class 8.8.
Tightening torque: **50 Nm** with contact washer.



Connections

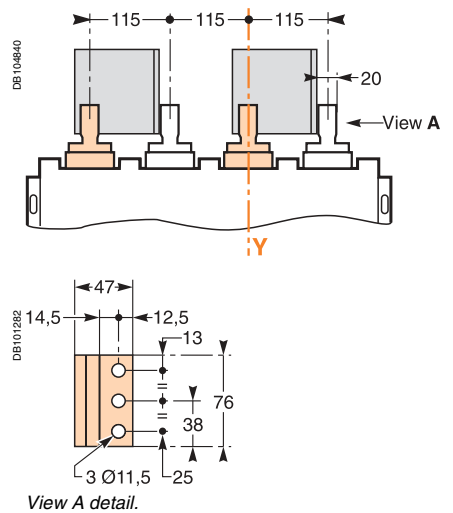
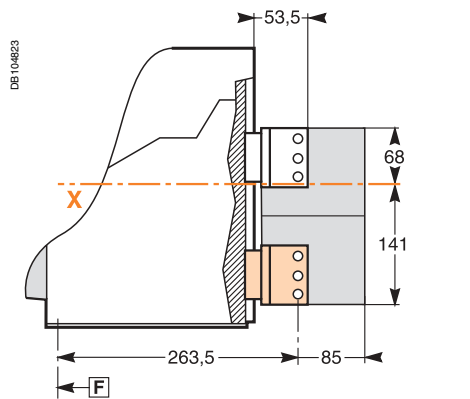
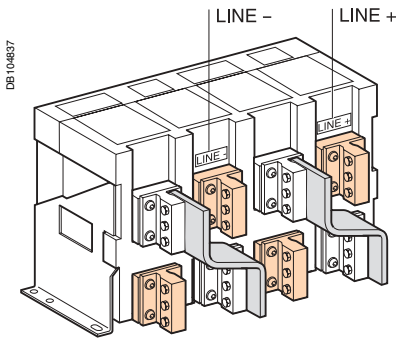
Horizontal rear connection (NW10 - NW20)

Detail



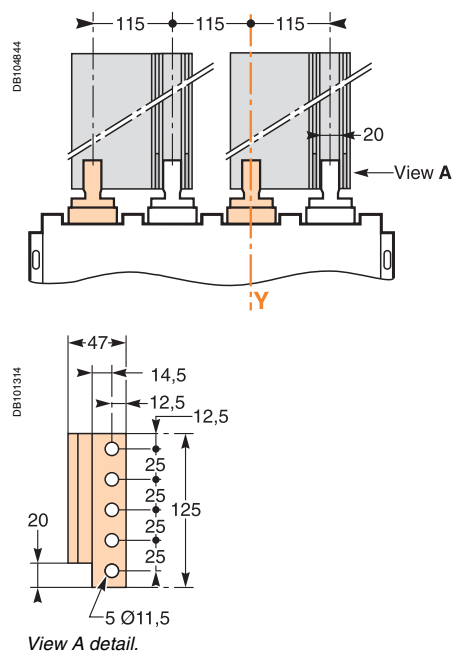
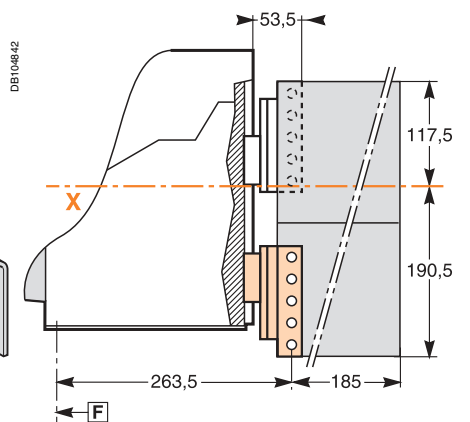
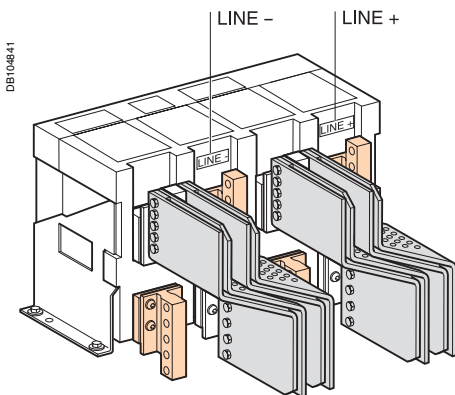
Vertical rear connection (NW10 - NW20)

Detail



Vertical rear connection (NW40)

Detail



Note:
Recommended connection screws: **M10** class 8.8.
Tightening torque: **50 Nm** with contact washer.

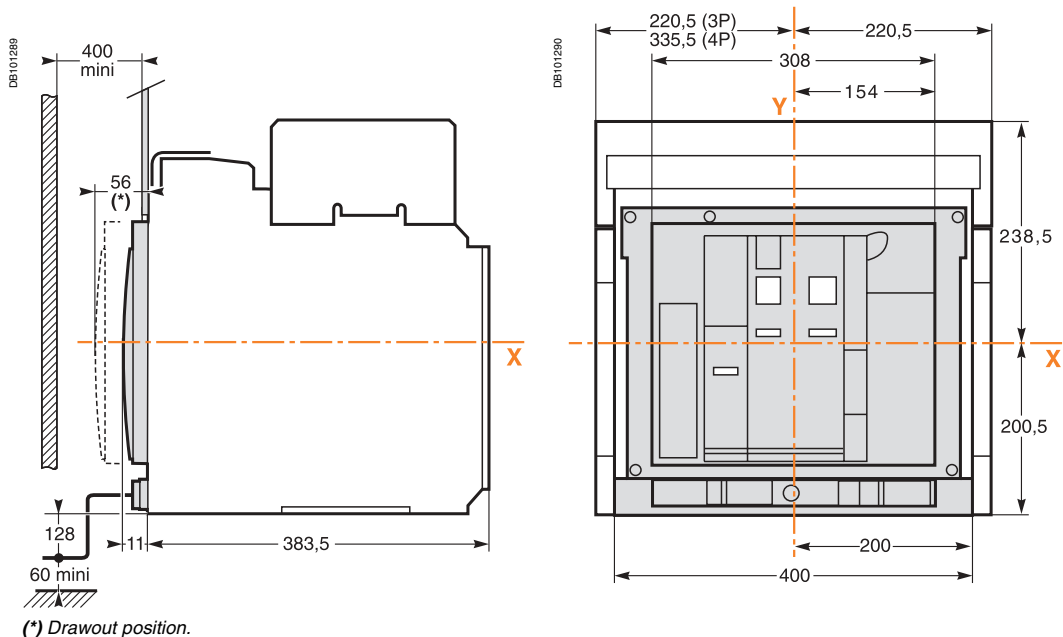
Masterpact NW10 to 40 DC

Drawout device

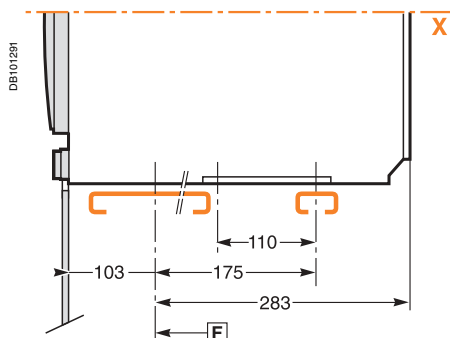
Version C/D (3 poles)

Version E (4 poles)

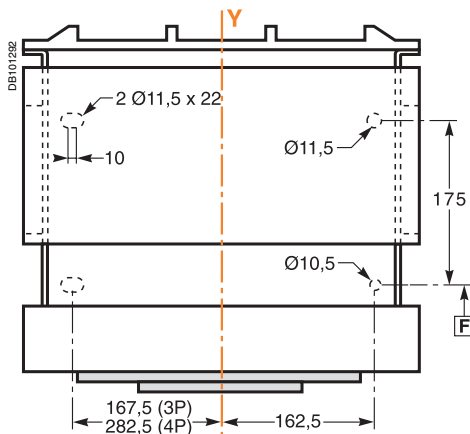
Device



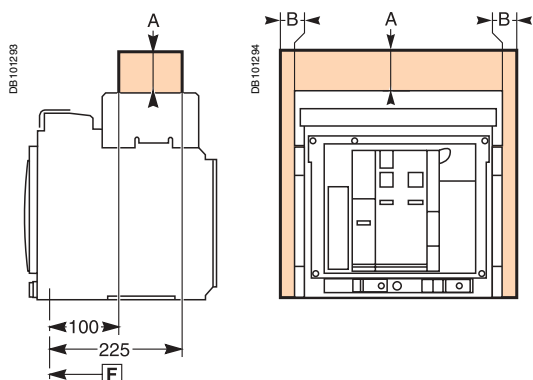
Mounting on base plate or rails



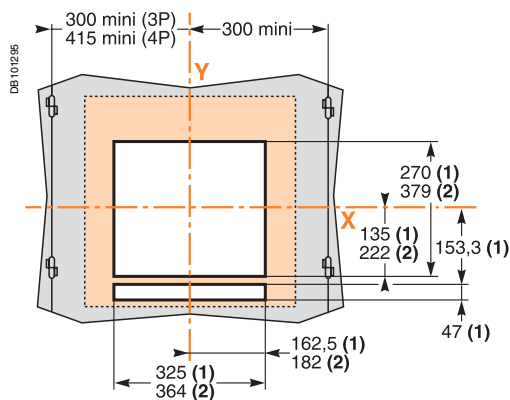
Mounting detail



Safety clearances



Door cutout



	Insulated parts	Metal parts	Energised parts
A	0	0	0
B	0	0	60

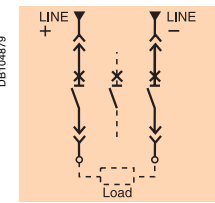
[F] : Datum.

Note:

(1) Without escutcheon

(2) With escutcheon

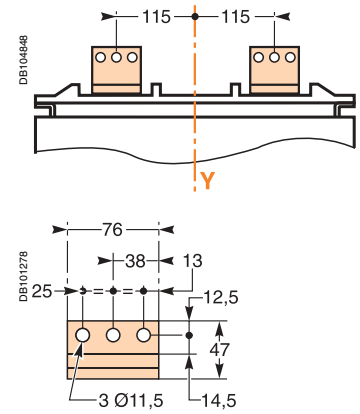
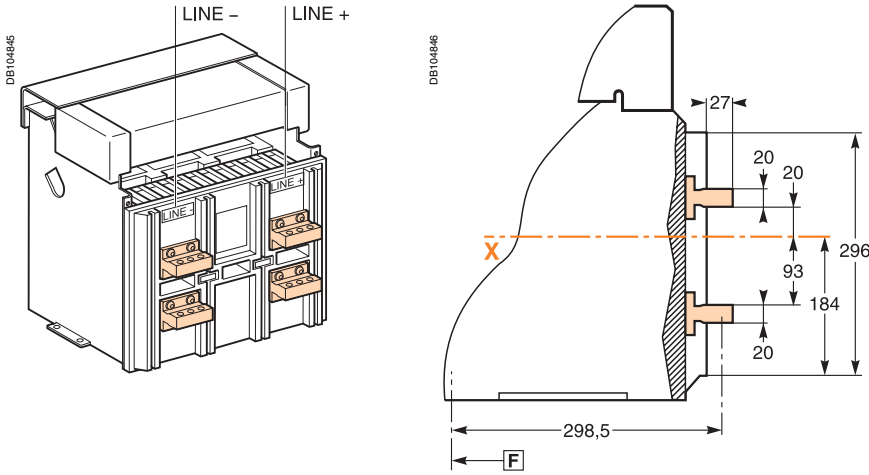
X and Y are the symmetry planes for a 3-pole device.



Connections

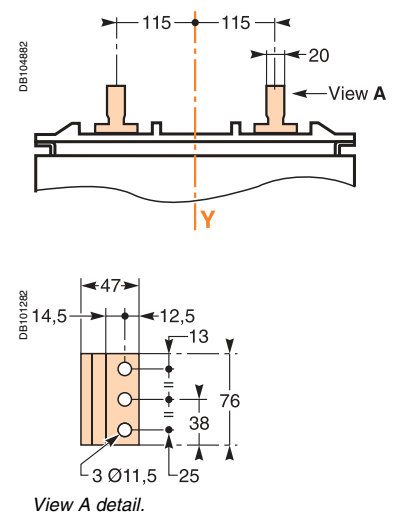
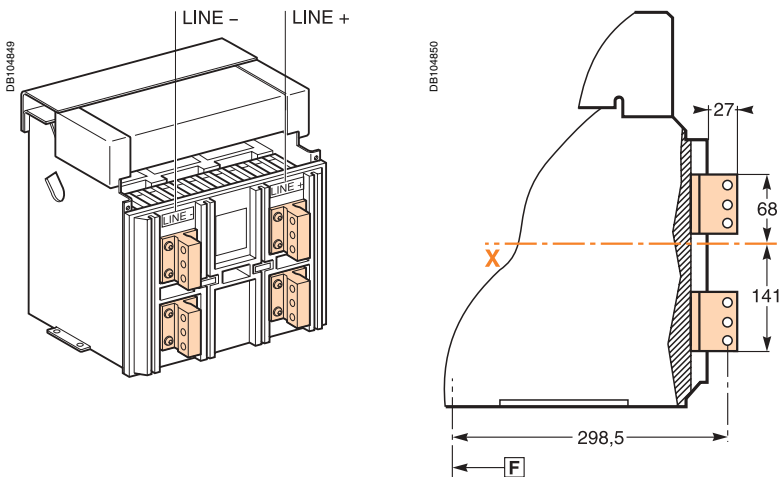
Horizontal rear connection (NW10 - NW20)

Detail



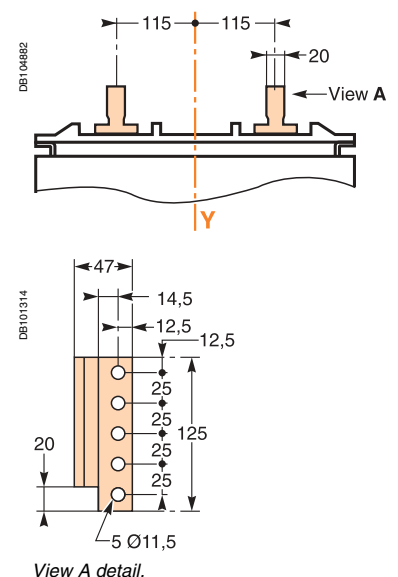
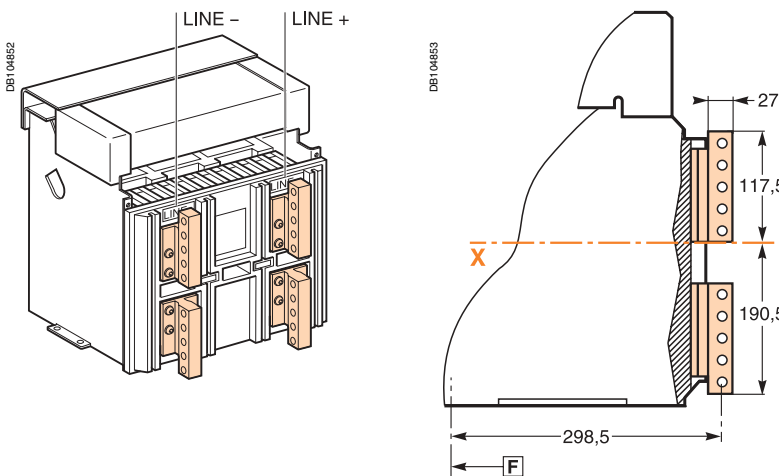
Vertical rear connection (NW10 - NW20)

Detail

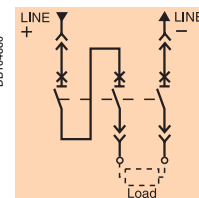


Vertical rear connection (NW40)

Detail



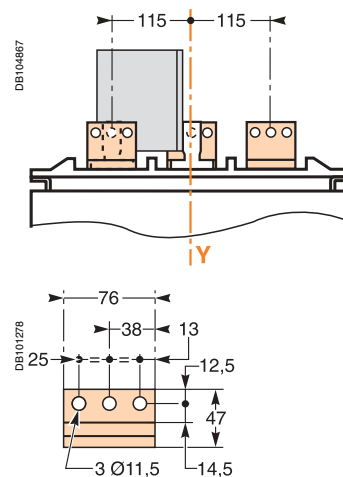
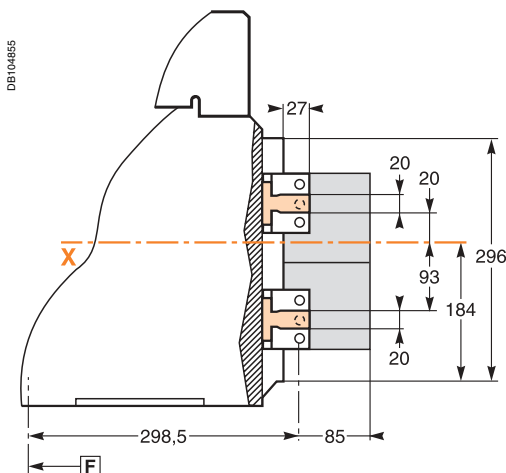
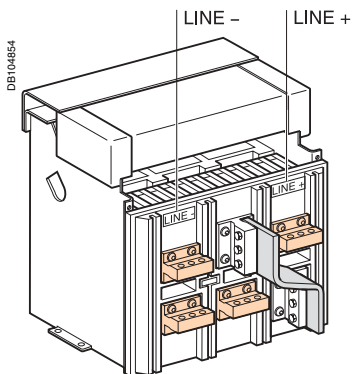
Note:
Recommended connection screws: **M10** class 8.8.
Tightening torque: **50 Nm** with contact washer.



Connections

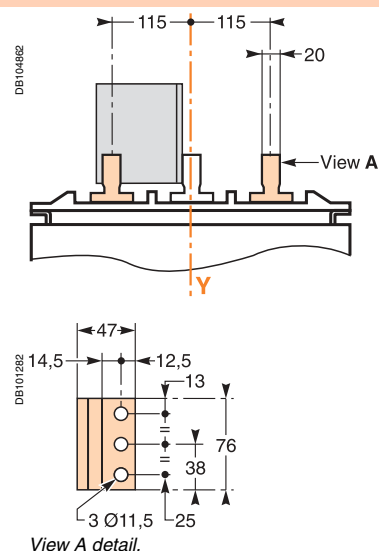
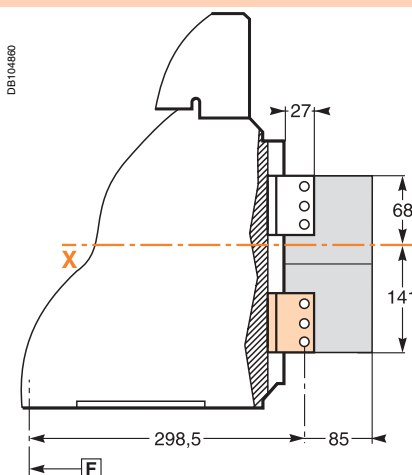
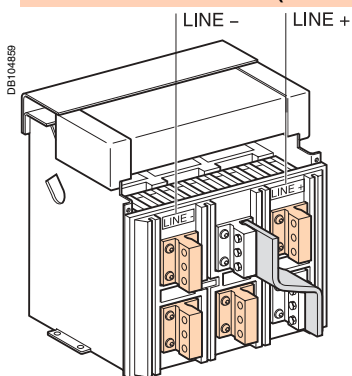
Horizontal rear connection (NW10 - NW20)

Detail



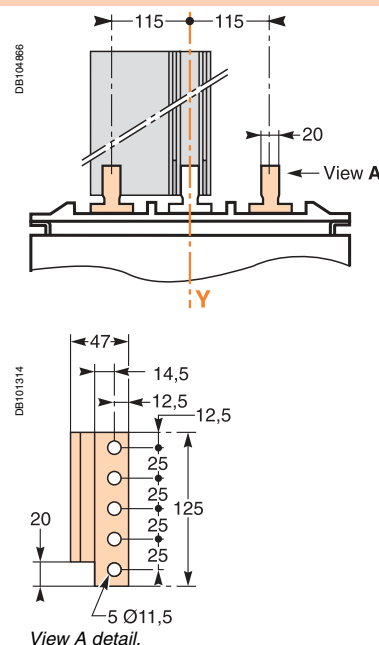
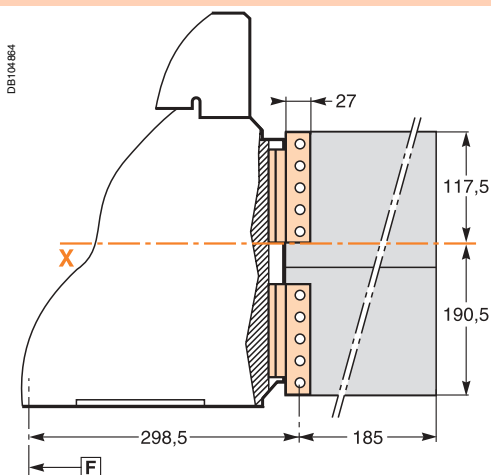
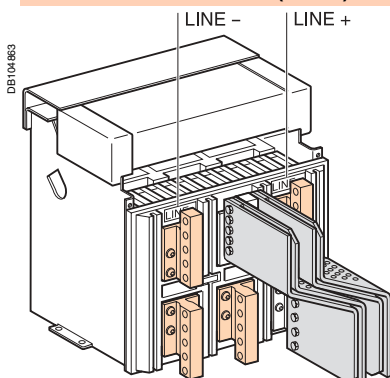
Vertical rear connection (NW10 - NW20)

Detail

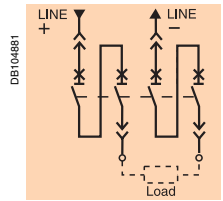


Vertical rear connection (NW40)

Detail

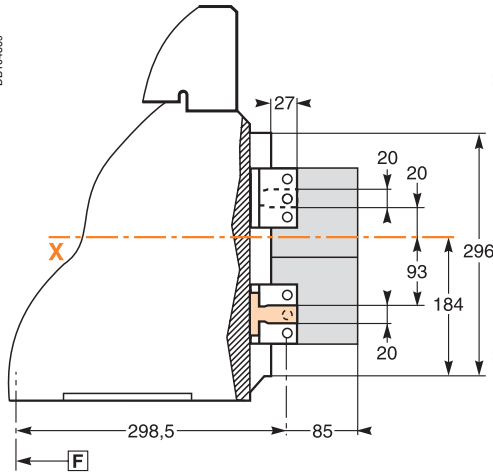
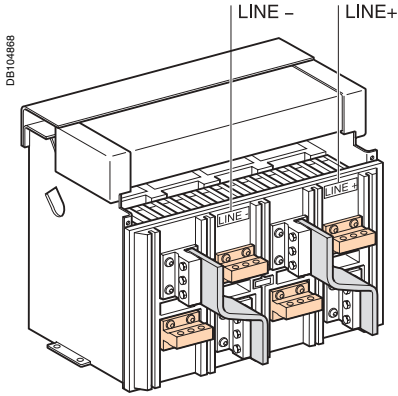


Note:
Recommended connection screws: **M10** class 8.8.
Tightening torque: **50 Nm** with contact washer.

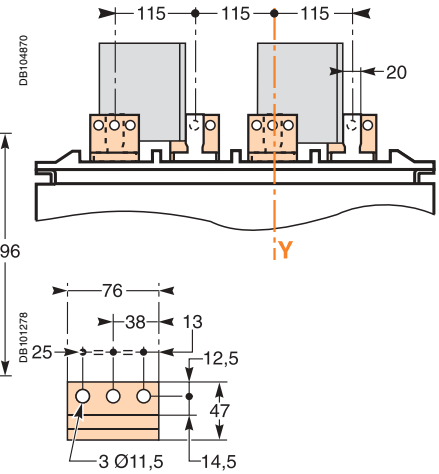


Connections

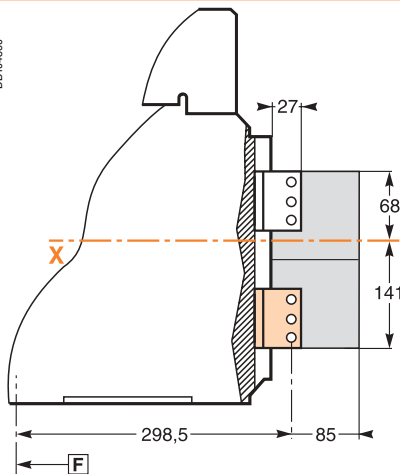
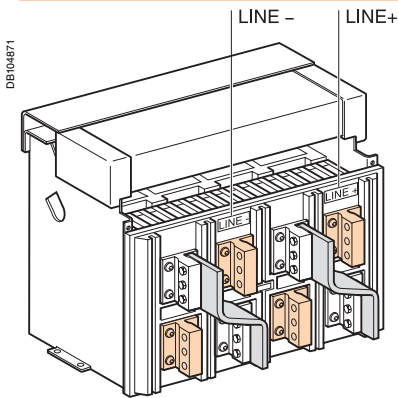
Horizontal rear connection (NW10 - NW20)



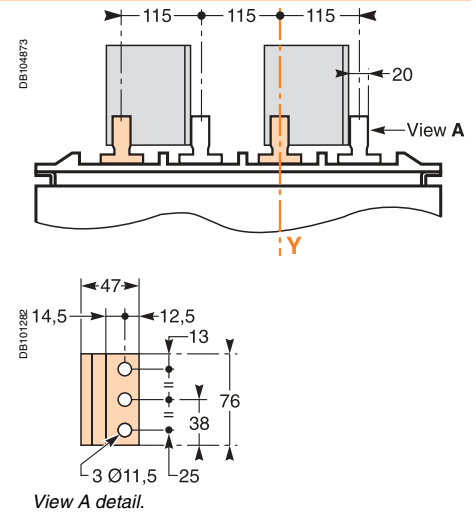
Detail



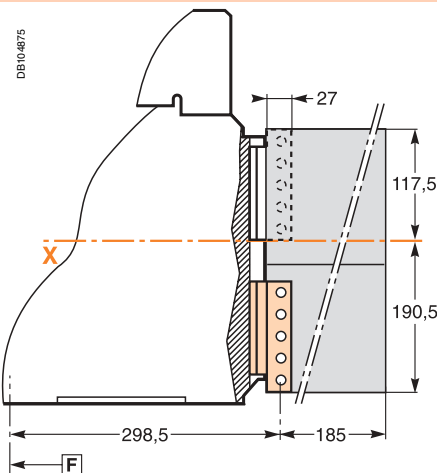
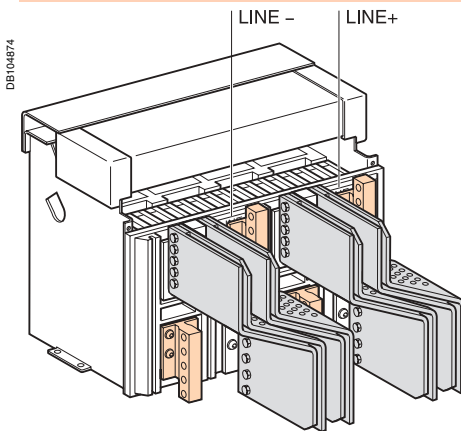
Vertical rear connection (NW10 - NW20)



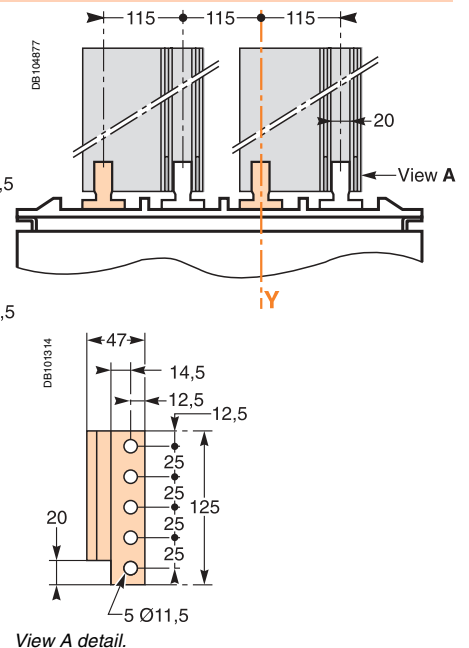
Detail



Vertical rear connection (NW40)



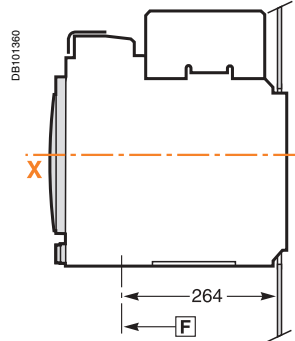
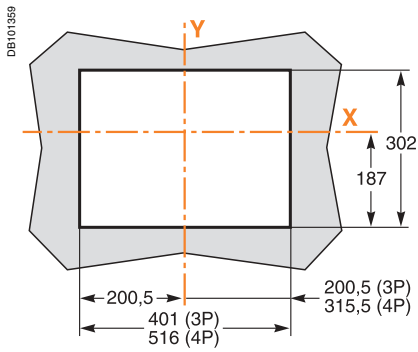
Detail



Note:
Recommended connection screws: **M10** class 8.8.
Tightening torque: **50 Nm** with contact washer.

Rear panel cutout (drawout device)

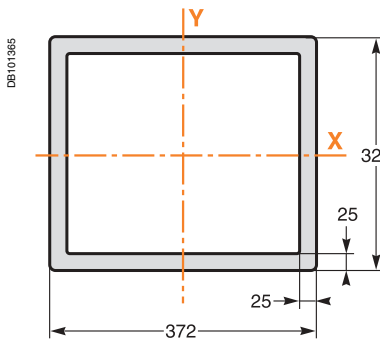
NW10 to NW40



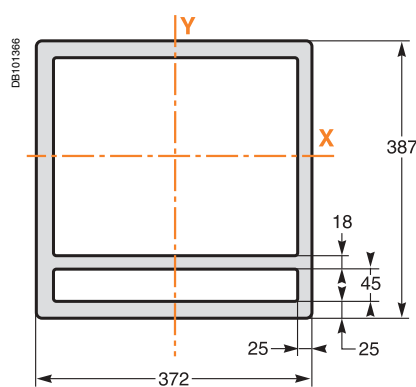
\square F : Datum.

Escutcheon

Fixed device

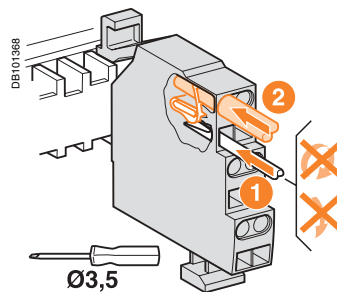
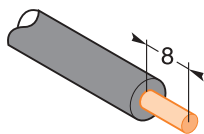


Drawout device



Connection of auxiliary wiring to terminal block

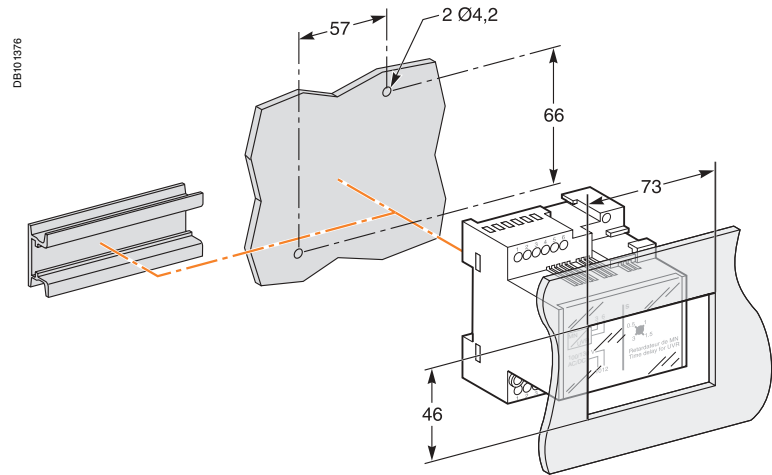
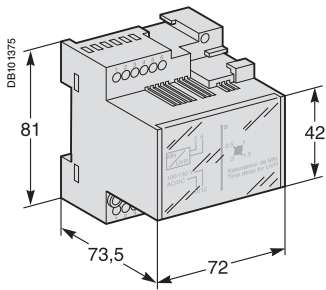
-  S : 0,6 mm²
-  S : 2,5 mm²



One conductor only per connection point.

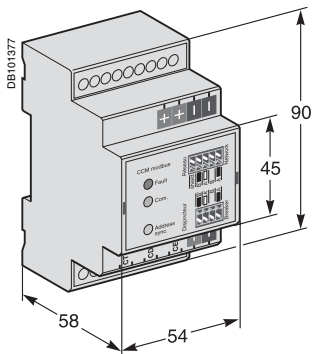
Delay unit for MN release

MNR



"Chassis" communication module

Modbus



Digipact

